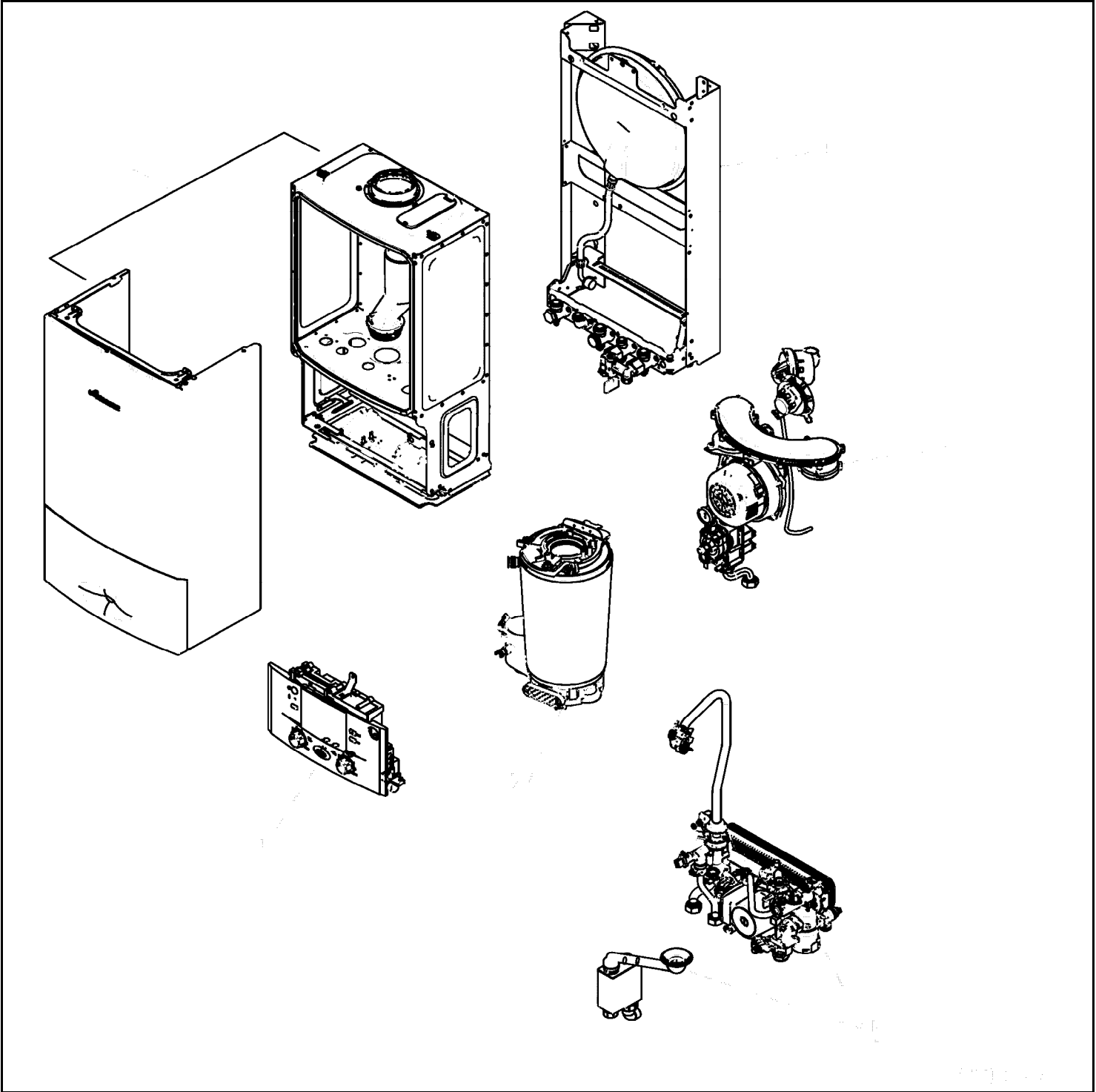
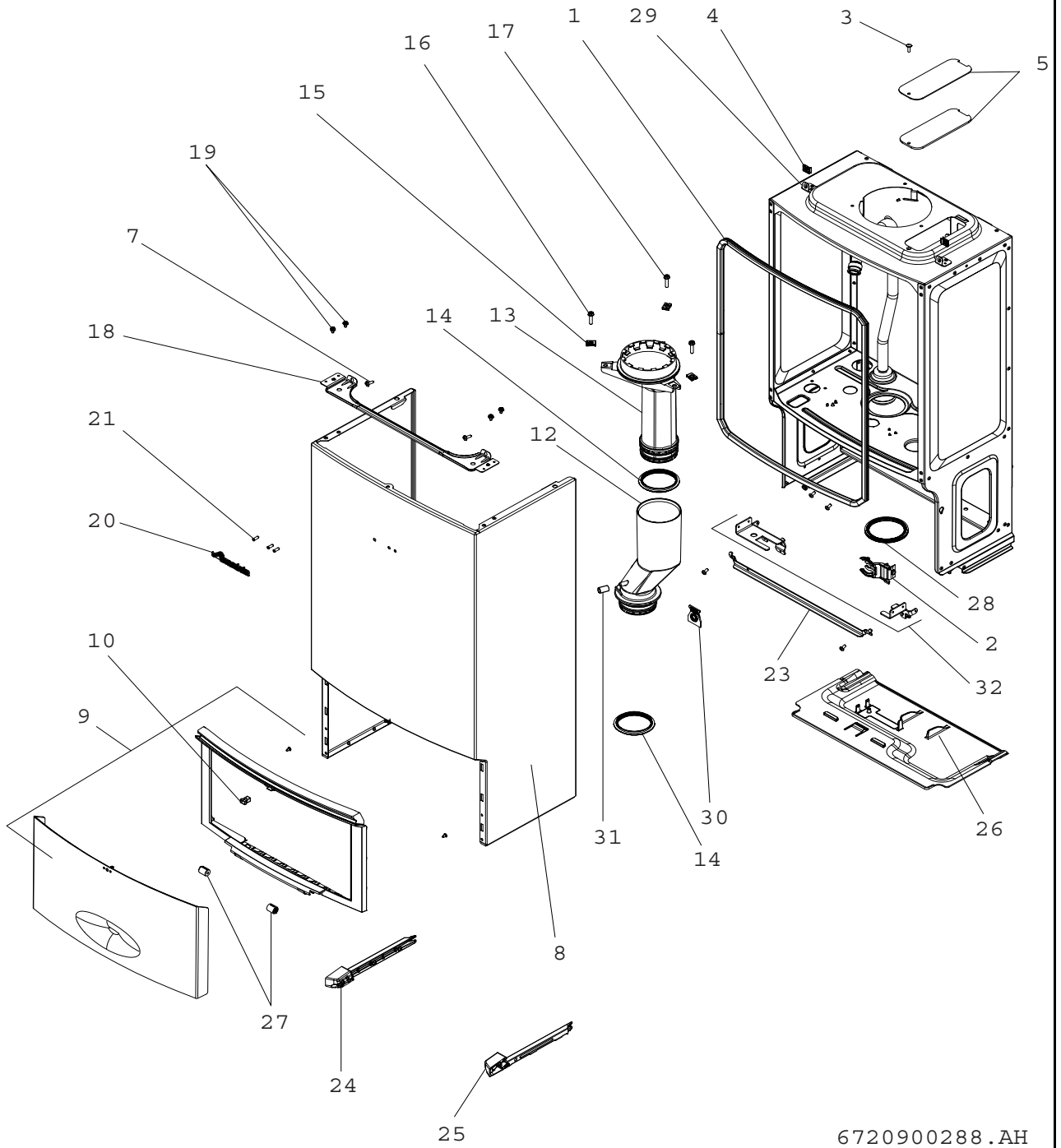


GREENSTAR 25/30SI



Spare parts list



6720900288.AH

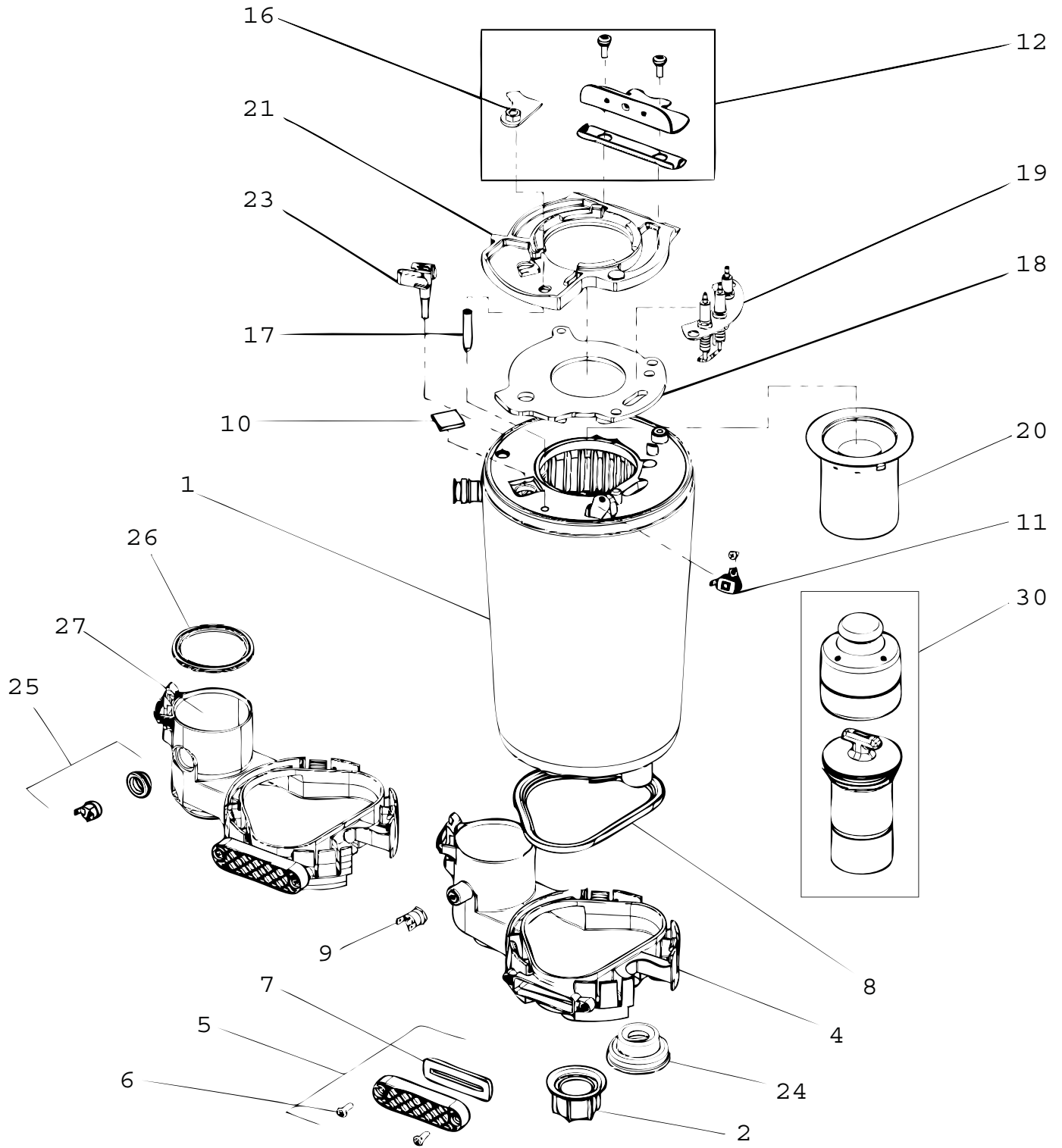
Casing
D

25Si 30Si

1

Pos	description	S-Nr	ordering no.	PG	gas type																remarks	
1	Seal - Inner Case / Mantel		8 716 106 635 0	25			■	■														
2	Bracket pressure gauge		8 716 106 519 0	16			■	■														
3	Screw no.8x1/2 f/h type b self tap.		2 912 421 225 0	16			■	■														
4	Nut u-type no8		8 716 148 524 0	15			■	■														
5	Cover - Inspection & Gasket		8 716 106 517 0	17			■	■														
7	No8 x 16 Pozi FL HD ST MS ZP		2 912 421 026 0	11			■	■														
8	Outer case assembly		8 716 106 596 0	46			■	■														
9	Control cover assembly		8 716 106 594 0				■	■														
10	Retaining Catch		8 713 204 017 0	16			■	■														
12	Flue Tube - Lower		8 716 106 940 0	24			■	■														
13	Flue Tube - Upper		8 716 106 939 0	30			■	■														
14	Seal exhaust (10x)		8 711 004 321 0	20			■	■														
15	Nut		8 710 609 015 0	12			■	■														
16	Screw 4.8 hex head		8 713 403 036 0	14			■	■														
17	Washer 80MM		8 711 004 232 0	15			■	■														
18	Cross member		8 716 106 538 0	23			■	■														
19	Serrated screw M4 x 7		8 716 106 622 0	13			■	■														
20	Badge		8 716 106 808 0	21			■	■														
21	Panel Bush		8 716 106 752 0				■	■														
23	Tie bar		8 716 106 525 0	21			■	■														
24	Runner assembly lh		8 716 106 593 0	17			■	■														
25	Runner assembly rh		8 716 106 592 0	17			■	■														
26	Panel Bottom		8 716 113 846 0				■	■														
27	Hinge		8 713 204 016 0	26			■	■														
28	Gasket Sump		8 716 113 829 0		LPG,NG		■	■													After FD887	
29	Bracket Mantel Fixing		8 716 106 516 0				■	■														
30	Grommet		8 718 681 048 0		LPG,NG		■	■													After FD887	
31	Protective cap (10x)		8 710 506 161 0	12	LPG,NG		■	■													After FD887	
32	Bracket Set		8 716 106 631 0				■	■														
25Si 30Si		Casing D																				1

Spare parts list

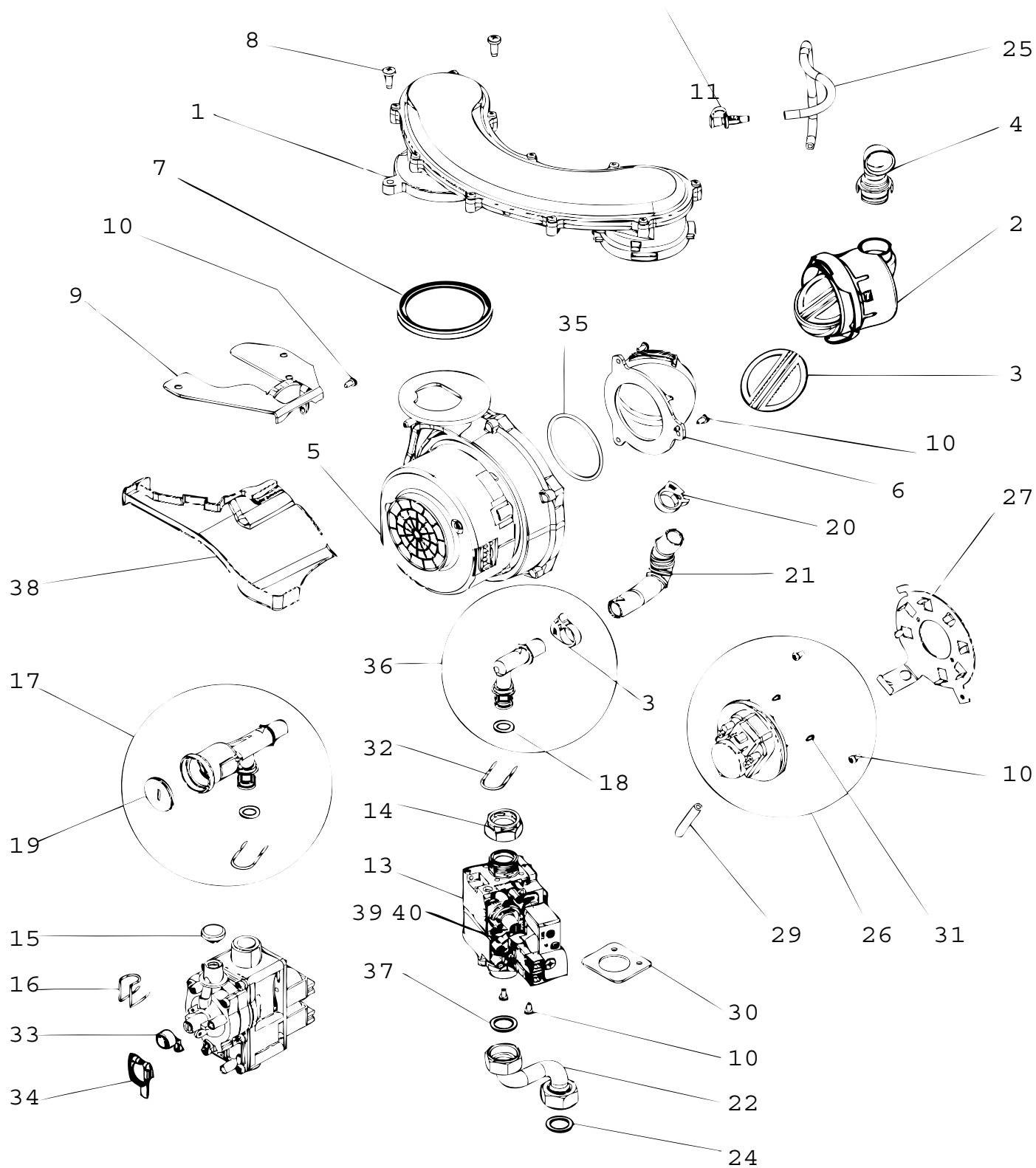


Pos	description	S-Nr	ordering no.	PG	gas type	25Si	30Si												remarks
1	Heat exchanger assembly 18-24 kW		8 716 107 055 0	62	LPG,NG	■	■												Before FD887
1	Heat exchanger assembly 18/30kw		8 716 115 375 0		LPG,NG	■	■												After FD888
2	Nut		8 713 301 114 0	09		■	■												
4	Condensate Sump Assembly		8 715 406 924 0	31	LPG		■												Before FD886
4	Condensate Sump Assembly		8 715 406 924 0	31	LPG,NG	■													Before FD886
4	Condensate Sump Assembly		8 715 406 924 0	31	NG		■												Before FD887
5	Cover - Service Access		8 715 503 528 0	14		■	■												
6	Screw M5x14 Pan Head Pozi ZP		2 918 160 156 0	14		■	■												
7	Seal		8 710 103 191 0	17		■	■												
8	Seal		8 711 004 324 0	19		■	■												
9	Temperature limit sensor		8 722 963 858 0	23		■	■												
10	Inspection window		8 715 600 018 0	11		■	■												
11	High Limit Stat 120 dec		8 707 206 196 0	17		■	■												
12	Retaining kit		8 743 401 091 0	19		■	■												
16	Flanged Nut		8 713 301 180 0	14		■	■												
17	Threaded Stud M8 x 45		8 713 104 051 0			■	■												
18	Gasket Burner WB6		8 716 110 534 0	24		■	■												
19	Electrodes		8 718 107 087 0	31		■	■												
20	Burner		8 718 120 619 0	40		■	■												
21	Air/gas manifold clamp plate		8 716 106 471 0	26		■	■												
23	Control sensor		8 716 106 688 0			■	■												
24	Seal		8 716 106 840 0	18		■	■												
25	Temperature limiter assy		8 710 506 267 0	34		■	■												
26	Gasket Sump		8 716 113 829 0		LPG,NG	■	■												After FD887
27	Condensate Sump Assembly		8 718 681 362 0		NG		■												
27	Condensate Sump Assembly		8 718 681 362 0		LPG		■												After FD887
27	Condensate Sump Assembly		8 718 681 362 0		LPG,NG	■													After FD887
30	Baffle set		8 716 107 046 0	41		■	■												

25Si 30Si

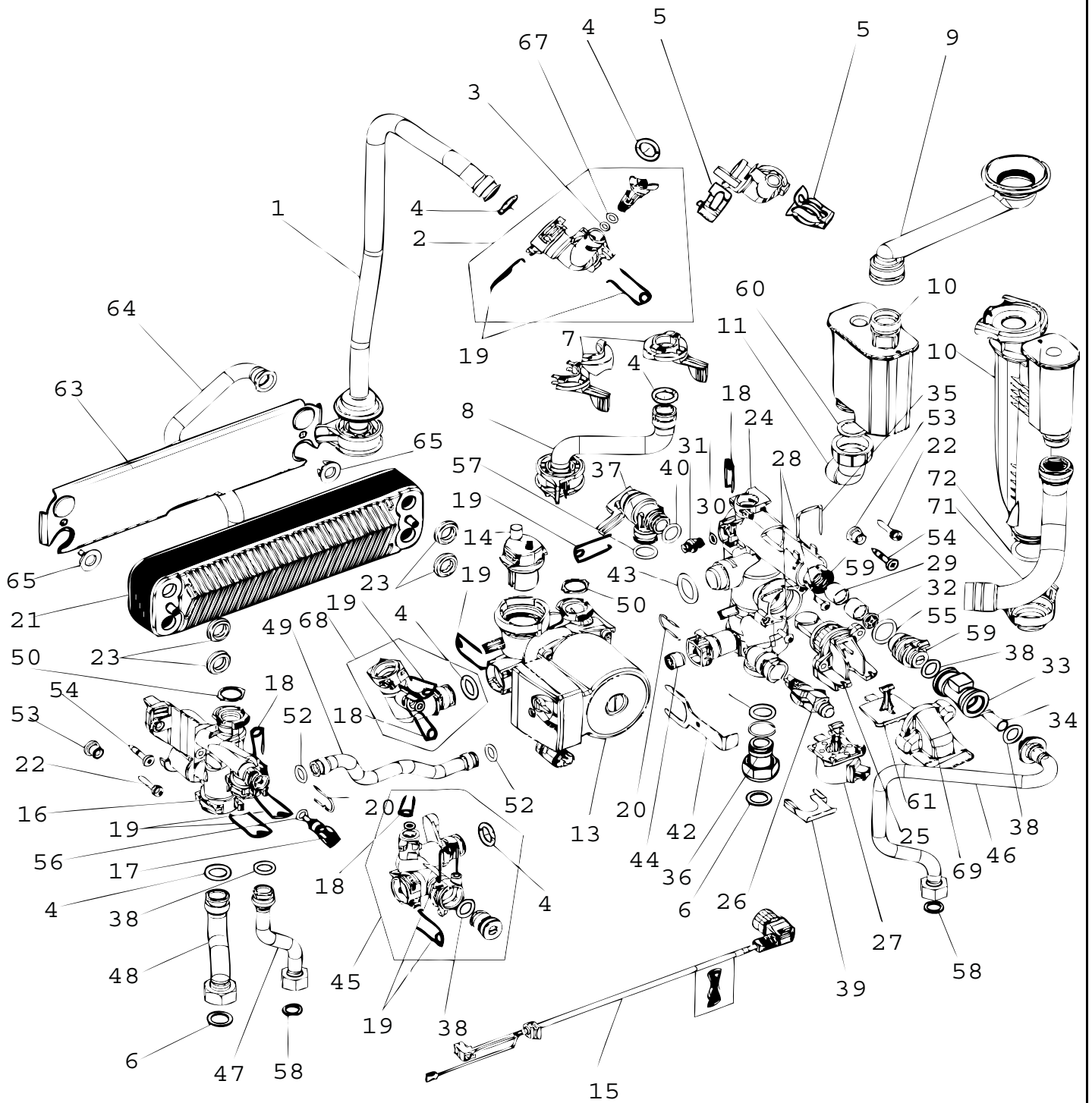
Heat exchanger
D

Spare parts list



Pos	description	S-Nr	ordering no.	PG	gas type														remarks
										25Si	30Si								
1	Air/Gas Manifold Assembly (banana)		8 716 106 796 0	40		■	■												
2	Air/gas Mixing Chamber Assembly MIDI		8 711 000 292 0	28		■	■												
3	Membrane		8 715 505 825 0	16		■	■												
4	Pipe elbow		8 716 106 718 0	20		■	■												
5	Fan		8 717 204 453 0	49		■	■												
6	Adaptor - Mixing Chamber to Fan		8 716 106 547 0	24		■	■												
7	Washer		8 729 000 183 0	13		■	■												
8	Screw M6 X 20 Socket head cap ZP		2 910 141 201 0	14		■	■												
9	Fan mounting plate assembly		8 716 112 061 0	20		■	■												
10	Screw m4x8mm taptite zc pl p/h		2 914 411 412 0	03		■	■												
11	Flue sampling tube kit		8 716 114 389 0			■	■												
13	GAS VALVE SIT		8 716 111 325 0			■	■												
14	Nut Retaining		8 716 106 683 0	15		■	■												
15	Protective cap		8 715 503 344 0	12		■	■												
16	Clip Dust Cover		8 716 107 032 0			■	■												
17	Gas adjusting pipe assembly LPG		8 716 106 806 0		LPG	■	■												
17	Gas adjusting pipe assembly NG		8 716 106 807 0		NG	■	■												
18	O-ring		8 710 205 089 0	11		■	■												
19	Lead seal		8 712 305 092 0	15		■	■												
20	Clip - Hose Fastener		8 716 106 794 0	14		■	■												
21	Tube - Gas Supply		8 716 106 505 0	20		■	■												
22	Gas pipe		8 716 106 529 0			■	■												
24	Fibre washer 23.9 X 17.2 X 1.5 (10x)		8 710 103 043 0	12		■	■												
24	Washer 23.9 x 17.2 x 1.5 (X1)		8 716 115 674 0			■	■												
25	beige silicone tubing 5m long		8 716 101 080 0	27		■	■												
26	Air pressure switch		8 716 106 633 0	33		■	■												
27	Bracket air pressure switch		8 716 106 628 0			■	■												
29	Red silicone tubing 5m long		8 716 101 081 0	27		■	■												
30	Gasket gas valve		8 716 106 800 0	16		■	■												
31	Screw huba air press switch 2.5X6 pozi 1		8 716 155 057 0			■	■												
32	Clip - wire flow connector		8 716 148 349 0			■	■												
33	Protective cap		8 710 506 117 0	15		■	■												
34	Security tag black		8 712 305 077 0	15		■	■												
35	O-ring 3 x 63 id nitrile		8 716 106 750 0	15		■	■												
36	Gas pipe elbow		8 716 111 707 0	16		■	■												
37	Fan Cover Kit		8 716 112 080 0			■	■												
39	Brass screw		8 716 112 410 0	15		■	■												
40	Brass screw		8 716 112 410 0	15			■												
40	Vent cap		8 716 112 411 0	13		■													
40	Vent cap		8 716 112 411 0	13	LPG		■												
25Si 30Si			Gas Valve D																4

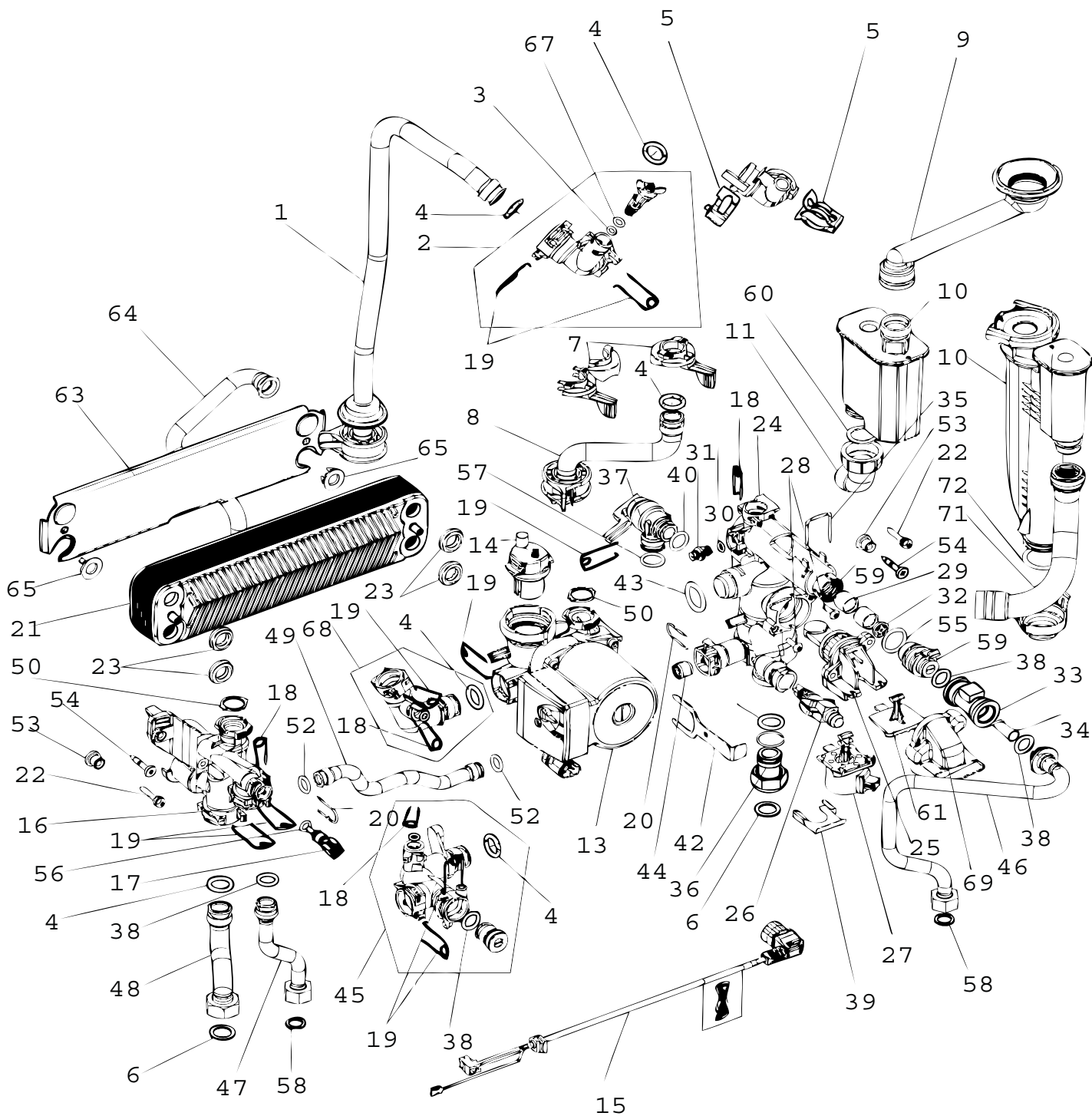
Spare parts list



6720900289.AF

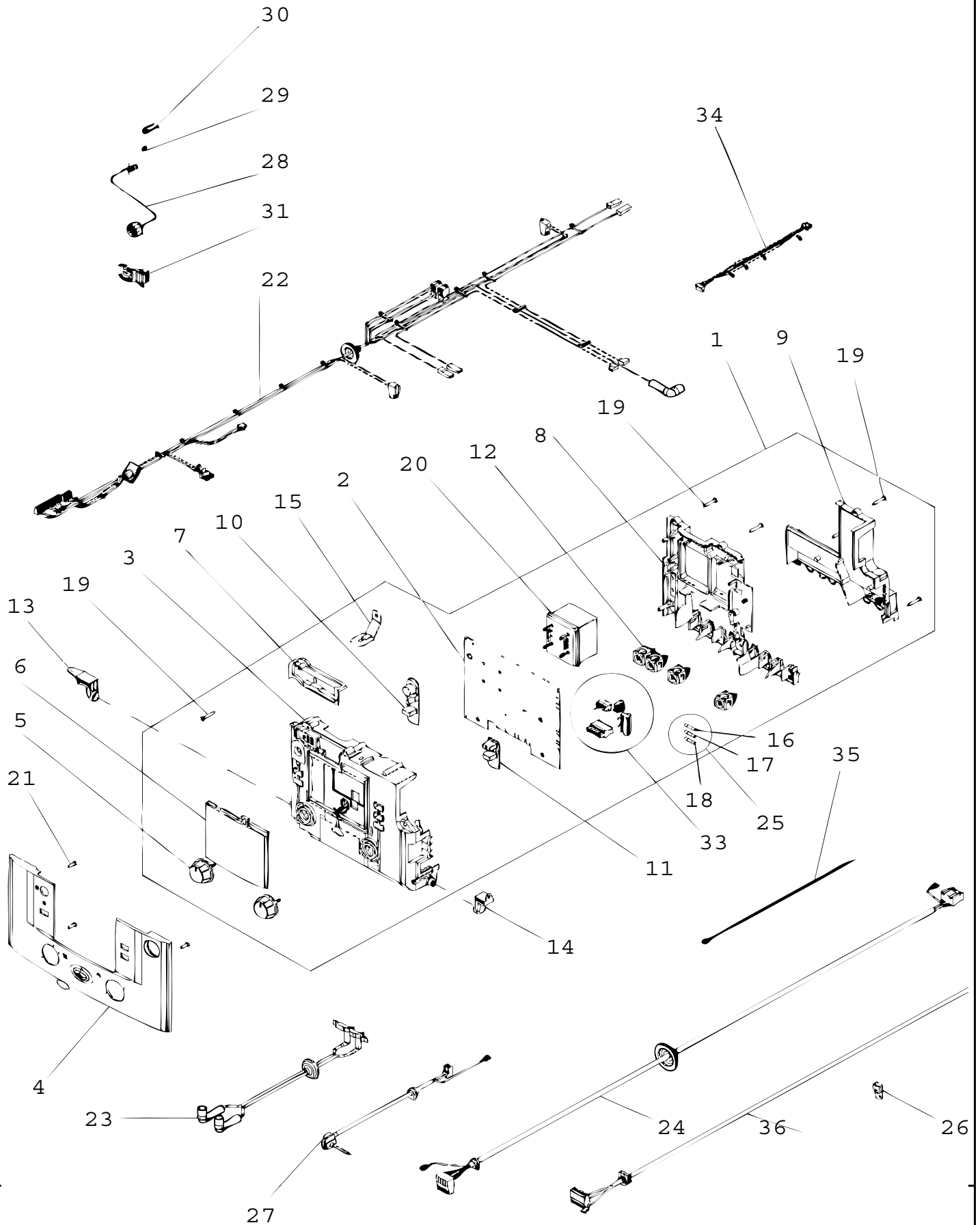
Pos	description	S-Nr	ordering no.	PG	gas type														remarks
							25Si	30Si											
1	Pipe outlet		8 716 106 528 0	31		■	■												
2	Elbow flow pipe		8 716 106 499 0	20		■	■												
3	O-ring 2.4x5.6 I/D EPDM		8 716 140 838 0	12		■	■												
4	O-ring 17x4		8 716 771 154 0	12		■	■												
5	Clip		8 716 106 981 0	09		■	■												
6	Fibre washer 23.9 X 17.2 X 1.5 (10x)		8 710 103 043 0	12		■	■												
6	Washer 23.9 x 17.2 x 1.5 (X1)		8 716 115 674 0			■	■												
7	Clamp Lever		8 716 106 507 0	16		■	■												
8	Pipe return		8 716 106 545 0	28		■	■												
9	Tube condensate drain		8 716 106 797 0	18	LPG,NG	■	■												Before FD886
9	Pipe Condensate Discharge		8 718 680 527 0		LPG	■													After FD887
10	Siphon		8 716 106 610 0	35	LPG,NG	■	■												Before FD886
10	Siphon Assembly.		8 716 113 837 0				■												
10	Siphon Assembly.		8 716 113 837 0		LPG	■													
10	Siphon Assembly.		8 716 113 837 0		NG	■													After FD887
11	Elbow assy siphon outlet		8 716 107 029 0	25	LPG,NG	■	■												Before FD886
13	Pump assembly three speed		8 716 106 355 0	48		■	■												
13	Pump head 3 speed		8 716 106 850 0	47		■	■												
14	Air vent		8 716 106 445 0	26		■	■												
15	Pump cable		8 716 107 329 0	17		■	■												
16	Flow unit		8 716 106 356 0	30		■	■												
17	DHW temp sensor		8 714 500 081 0	25		■	■												
18	Clamping spring		8 716 771 167 0	12		■	■												
19	Wire form spring (x10)		8 716 771 169 0	12		■	■												
20	Wire clip 13mm		8 716 106 549 0	09		■	■												
21	Heat exchanger 16 plate		8 716 106 685 0	47			■												
21	Heat exchanger 12 plate		8 716 106 686 0	45		■													
22	Screw & washer assembly m5		8 716 106 452 0	14		■	■												
23	Seal plate heat exchanger		8 716 106 435 0	15		■	■												
24	Return unit		8 716 106 442 0	49		■	■												
25	Diverter valve assembly		8 716 106 845 0	44		■	■												
26	Drain valve		8 716 771 432 0	25		■	■												
27	Diverter valve motor		8 716 106 847 0	40		■	■												
28	Screw m5 stainless		8 716 106 848 0	16		■	■												
29	Silencer body		8 716 106 485 0	18		■	■												
30	O-ring 6x2,5 (10x)		8 716 771 164 0	12		■	■												
31	Pressure relief valve dhw		8 717 401 029 0	26		■	■												
32	Flow regulator type E-W 11 litre brown		8 716 107 044 0	20			■												
32	Flow regulator type E-W 9 lt		8 716 141 143 0	20		■													
33	Flow sensor		8 716 107 223 0	34		■	■												
34	Filter dcw		8 716 106 486 0	18		■	■												
35	Clip flow sensor		8 716 106 488 0	10		■	■												
36	Inlet adaptor		8 716 106 439 0	19		■	■												
37	Pressure relief valve		8 716 106 431 0	32		■	■												
38	O-ring 13,87x3,53		8 716 771 155 0	22		■	■												
39	Clip inlet adaptor		8 716 106 432 0	12		■	■												
40	O-ring 16 x 3		8 716 107 225 0	16		■	■												
42	Clip pump		8 716 106 438 0	12		■	■												
43	O-ring (10x)		8 716 771 353 0	12		■	■												
44	By-pass valve		8 716 106 434 0	24		■	■												
45	Expansion vessel connector		8 716 106 430 0	18		■	■												
46	DHW inlet pipe		8 716 106 426 0	29		■	■												
25Si 30Si			Hydraulic's assembly D																5

Spare parts list



6720900289.AF

Spare parts list

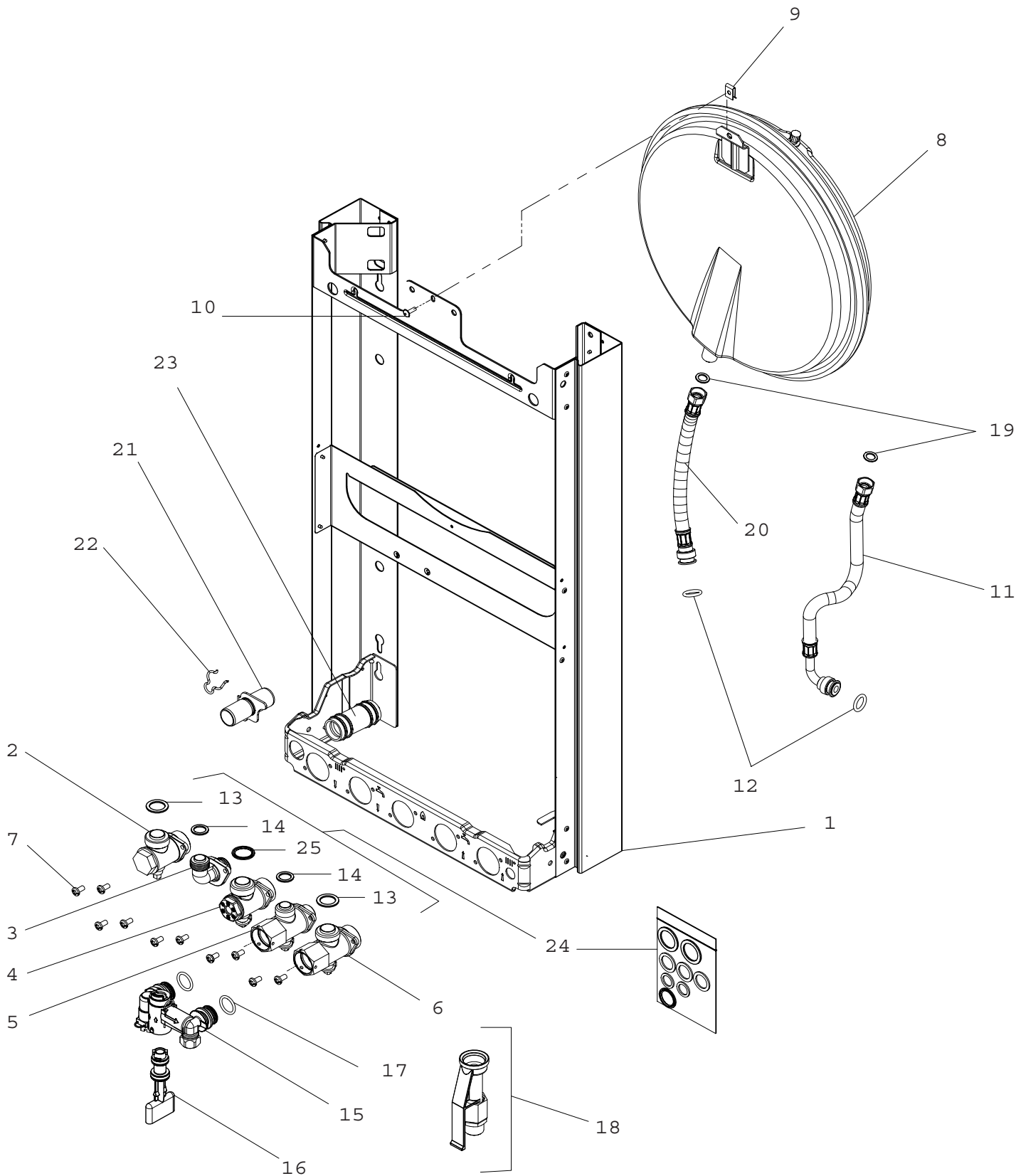


6

672090029AC

Pos	description	S-Nr	ordering no.	PG	gas type	25Si	30Si													remarks
1	Control Box assembly		8 717 207 666 0		LPG,NG	■	■													Before FD886
1	Control_box HT3 MID MkII Wo		8 717 207 867 0		LPG,NG	■	■													After FD887
2	Printed circuit		8 716 109 540 0				■													
2	Printed circuit		8 716 109 540 0		NG	■														
2	Printed circuit		8 716 109 540 0		LPG	■														Before FD886
3	Front Housing		8 716 109 542 0	33		■	■													
4	Cover Mid		8 716 106 637 0			■	■													
5	Rotary handle		8 712 000 129 0	20		■	■													
6	Shield		8 711 000 302 0	18		■	■													
7	Cover		8 717 207 680 0	16		■	■													
8	Backpanel		8 717 207 679 0	35		■	■													
9	Back cover		8 716 109 543 0	32		■	■													
10	Keypad Rubber L/H		8 716 109 547 0	19		■	■													
11	Keypad Rubber R/H		8 716 109 548 0	18		■	■													
12	Cable strain relief		8 712 201 007 0			■	■													
13	PIVOT LH SUPPORT		8 716 106 569 0			■	■													
14	PIVOT RH SUPPORT		8 716 106 568 0			■	■													
15	BRACKET SUPPORT		8 716 106 521 0			■	■													
16	Fusing element T2,5A (10x)		1 904 521 342 0	20		■	■													
16	Fusing element T2.5A		8 716 115 677 0			■	■													
17	Fusing element T0,5A		1 904 522 730 0	15		■	■													
18	Fusing element T1,6A		1 904 522 740 0	15		■	■													
19	Screw kb 40x25 wn 1411		2 914 211 309 0	17		■	■													
20	Transformer		8 717 201 052 0	29		■	■													
21	M4 X 14 PT POZI PAN Z/P SCREW		2 914 201 304 0			■	■													
22	Harness Main		8 716 112 610 0		LPG	■														
22	Harness Main		8 716 112 610 0		LPG,NG		■													Before FD886
22	Harness Main		8 716 112 610 0		NG	■														Before FD886
22	Harness- Main		8 718 680 658 0		LPG,NG	■	■													After FD887
23	Ignition lead		8 716 106 739 0	31		■	■													
24	Fan Harness		8 714 411 327 0	27		■	■													
25	Fusing element set T0,5/t1,6/t2,5/t3,15A		8 744 503 010 0	11		■	■													
26	Code Plug 1104		8 714 431 104 0		NG	■														
26	Code Plug 1105		8 714 431 105 0			■														
26	Code Plug 1106		8 714 431 106 0		NG		■													
26	Code Plug 1107		8 714 431 107 0		LPG		■													
27	Pump cable		8 716 107 329 0	17		■	■													
28	Pressure gauge		8 717 208 107 0	27		■	■													
29	O-ring 6x2,5 (10x)		8 716 771 164 0	12		■	■													
30	Clamping spring		8 716 771 167 0	12		■	■													
31	Bracket pressure gauge		8 716 106 519 0	16		■	■													
33	Set of plugs		8 714 404 226 0	22		■	■													
34	HARNESS STEPPER MOTOR		8 716 106 852 0			■	■													
35	Strap Control Box		8 718 680 421 0			■	■													
36	Cable main		8 718 680 952 0			■	■													
25Si 30Si			Electrical Assembly D																6	

Spare parts list



6720900291 .AD

Wall Mounting Frame
D

25Si 30Si

8

**ADDITIONAL SPARE PARTS
FOR APPLIANCE
NOT DRAWN**

9099

6720900999.AA

Additional Spare Part
D

25Si 30Si

9

Pos	description	S-Nr	ordering no.	PG	gas type													remarks
						25Si	30Si											
	Mechanical Timer MT10		8 716 106 663 0		NG	■	■											
	Template		8 716 107 069 0			■	■											
	Literature Pack - G/star 25-30 si		8 716 107 333 0		LPG,NG	■	■											Before FD886
	G/Star Si serv & inst manual		8 716 107 337 0		LPG,NG	■	■											Before FD886
	G/Star Si user guide		8 716 107 339 0		LPG,NG	■	■											Before FD886
	Conversion Kit LPG to NG 25SI		8 716 111 841 0			■												
	Conversion Kit NG to LPG 25SI		8 716 111 842 0			■												
	Conversion Kit LPG to NG 30SI		8 716 111 843 0				■											
	Conversion Kit NG to LPG 30SI		8 716 111 844 0				■											
	Digistat-Drayton SCR		8 716 113 516 0			■	■											
	IM - Fitting Siphon Exp Hose 05/2008 EN		8 716 113 893 0		LPG,NG	■	■											After FD887
	Literature Pack - G/star 25-30Si		8 716 115 161 0		LPG,NG	■	■											After FD887
	IM GREENSTAR SI 2008/06 EN		8 716 115 165 0		LPG,NG	■	■											After FD887
	OM GREENSTAR SI 2008/06 EN		8 716 115 169 0		LPG,NG	■	■											After FD887
25Si 30Si																	Additional Spare Part D	9

List of translations

Pos			
1			
2			
3			
4			
5			
7			
8			
9			
10			
12			
13			
14			
15			
16			
17			
18			
19			
20			
21			
23			
24			
25			
26			
27			
28			
29			
30			
31			
32			
2			
1			
2			
4			
5			
6			
7			
8			
9			
10			
11			
12			
16			
17			
18			
19			
20			
21			
23			
24			
25			
26			
27			
30			
4			
1			
2			
Pos			

List of translations

3				
4				
5				
6				
7				
8				
9				
10				
11				
13				
14				
15				
16				
17				
18				
19				
20				
21				
22				
24				
25				
26				
27				
29				
30				
31				
32				
33				
34				
35				
36				
37				
39				
40				
5				
1				
2				
3				
4				
5				
6				
7				
8				
9				
10				
11				
13				
14				
15				
16				
17				
18				
19				
20				
21				
22				
23				
Pos				

List of translations

24				
25				
26				
27				
28				
29				
30				
31				
32				
33				
34				
35				
36				
37				
38				
39				
40				
42				
43				
44				
45				
46				
47				
48				
49				
50				
52				
53				
54				
55				
56				
57				
58				
59				
60				
61				
63				
64				
65				
67				
68				
69				
71				
6				
1				
2				
3				
4				
5				
6				
7				
8				
9				
10				
11				
Pos				
12				

List of translations

13				
14				
15				
16				
17				
18				
19				
20				
21				
22				
23				
24				
25				
26				
27				
28				
29				
30				
31				
33				
34				
35				
36				
8				
1				
2				
3				
4				
5				
6				
7				
8				
9				
10				
11				
12				
13				
14				
15				
16				
17				
18				
19				
20				
21				
22				
23				
24				
9				
Pos				

Types of appliances

Appliance	ordering no.	Country remarks
GREENSTAR 25SI COMBI NG	7 716 130 139	United Kingdom
GREENSTAR 25SI LPG	7 716 130 146	United Kingdom
GREENSTAR 30 SI COMBI NG	7 716 130 140	United Kingdom
GREENSTAR 30SI LPG	7 716 130 145	United Kingdom

